

4t MODULAR SPREADER BAR

MAXIRIG PRODUCT CODE
MAXIBAR4

Maxirig

QUALITY LIFTING SOLUTIONS

DESCRIPTION

Maximum capacity:	4.0 tonne at 60° included sling angle (at 1.5Mtrs span)
Tare weight:	33kg Fully Assembled (excl. shackles or rigging gear)
Lifting Lugs (top) suit:	3.2 tonne Grade 'S' safety bow shackle
Lifting Lugs (lower) suit:	2.0 tonne Grade 'S' safety bow shackle

PRODUCT ASSURANCE

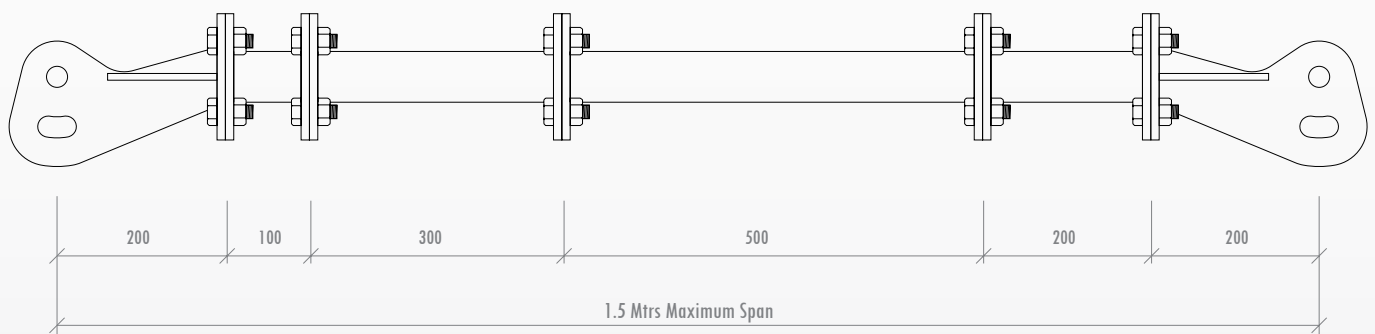
Parent Standard:	AS4991
Proof Load Testing	Yes
MPI Weld Inspection	Yes
Manufacturer's Guarantee	1 Year

LOAD CHART

Span (Mtrs)	WLL (tonnes)			Approx Sling Leg Length (Mtrs)			Approx Headroom (Mtrs)			END LUGS	Modules			
	60°	90°	120°	60°	90°	120°	60°	90°	120°		0.1m	0.2m	0.3m	0.5m
0.5	4	4	3	0.5	0.4	0.3	0.4	0.3	0.1	2	1			
0.6	4	4	3	0.6	0.4	0.4	0.5	0.3	0.2	2		1		
0.7	4	4	3	0.7	0.5	0.4	0.6	0.4	0.2	2			1	
0.8	4	4	3	0.8	0.6	0.5	0.7	0.4	0.2	2	1		1	
0.9	4	4	3	0.9	0.6	0.5	0.8	0.5	0.3	2				1
1.0	4	4	3	1.0	0.7	0.6	0.9	0.5	0.3	2	1			1
1.1	4	4	3	1.1	0.8	0.6	1.0	0.6	0.3	2		1		1
1.2	4	4	3	1.2	0.8	0.7	1.0	0.6	0.4	2			1	1
1.3	4	4	3	1.3	0.9	0.8	1.1	0.7	0.4	2	1		1	1
1.4	4	4	3	1.4	1.0	0.8	1.2	0.7	0.4	2		1	1	1
1.5	4	4	3	1.5	1.1	0.9	1.3	0.8	0.4	2	1	1	1	1

IMPORTANT

Prior to conducting any operations with this device, a lift study must be undertaken noting the capacity and tare weights of the device in its various configurations.



WE PROVIDE SUPERIOR QUALITY LIFTING PRODUCTS AUSTRALIA WIDE

All Maxirig products are designed and manufactured in Australia by our highly skilled team of engineers and boilermakers.

VISIT WWW.MAXIRIG.COM.AU