

# 2t PALLET LIFTING BARS

**Maxirig**

QUALITY LIFTING SOLUTIONS



These units are designed to lift standard pallets via multi leg chain slings. They are fitted with sliding keepers to ensure stability under load.

MAXIRIG PRODUCT CODE

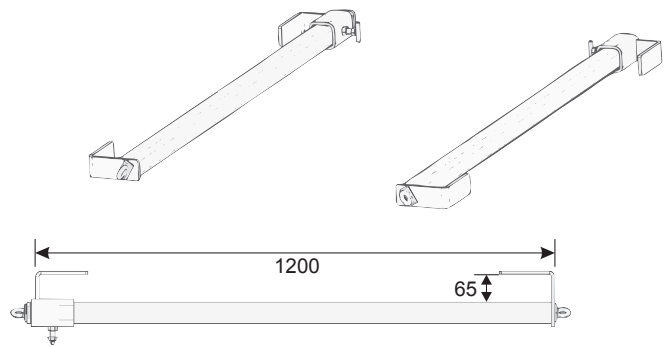
**PLB1020**

## DESCRIPTION

|                         |                   |
|-------------------------|-------------------|
| <b>Work Load Limit:</b> | 2 tonne           |
| <b>Tare Weight:</b>     | 18kg per pair     |
| <b>Dimensions:</b>      | 1240mm (L)        |
| <b>Finish:</b>          | Y14 Golden Yellow |

## PRODUCT ASSURANCE

|                                 |        |
|---------------------------------|--------|
| <b>Parent Standard:</b>         | AS4991 |
| <b>Proof Load Testing</b>       | Yes    |
| <b>MPI Weld Inspection</b>      | Yes    |
| <b>Manufacturer's Guarantee</b> | 1 Year |



- ✓ Australian designed and made.
- ✓ Full compliance with AS4991-2004.

- ✓ Supplied with proof load test.
- ✓ Supplied with MPI welding report.



## WE PROVIDE SUPERIOR QUALITY LIFTING PRODUCTS AUSTRALIA WIDE

All Maxirig products are designed and manufactured in Australia by our highly skilled team of engineers and boilermakers.

VISIT [WWW.MAXIRIG.COM.AU](http://WWW.MAXIRIG.COM.AU)