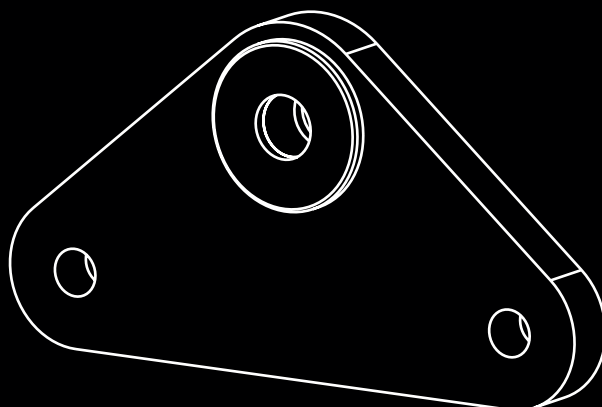


10t EQUALISER

Maxirig

QUALITY LIFTING SOLUTIONS



When using multiple sling legs this device provides a means of equalising forces within the legs. Connection is made via standard Grade "S" bow shackle and can be used with chain, wire rope or synthetic slings. Ideal in compensating for differences in load lift points and sling lengths.

MAXIRIG PRODUCT CODE

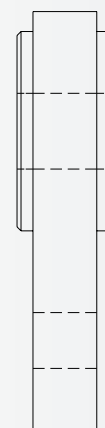
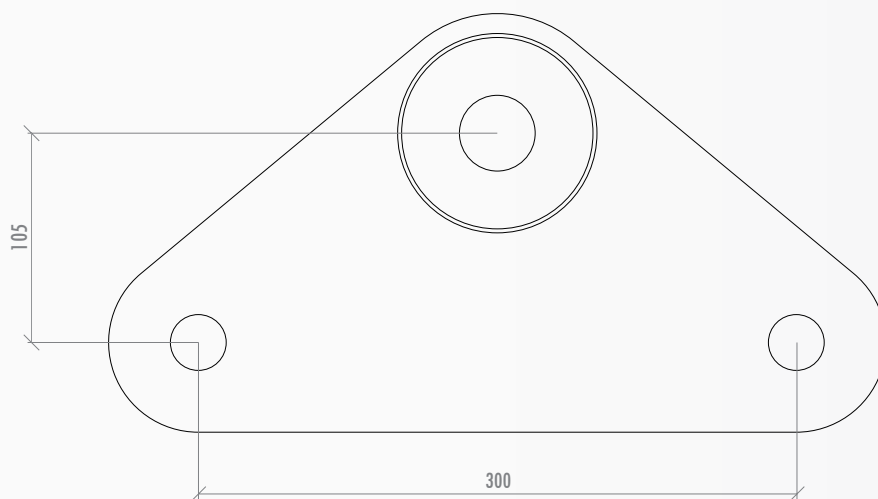
EQP1010

DESCRIPTION

Maximum Capacity:	10.0 tonne
Tare Weight:	15kg (excluding shackles or associated rigging gear)
Lifting Lugs (top) suit:	12 tonne Grade 'S' safety bow shackle
Load Lugs (lower) suit:	6.5 tonne Grade 'S' safety bow shackle

PRODUCT ASSURANCE

Parent Standard:	AS4991
Proof Load Testing	Yes
MPI Weld Inspection	Yes
Manufacturer's Guarantee	1 Year



WE PROVIDE SUPERIOR QUALITY LIFTING PRODUCTS AUSTRALIA WIDE

All Maxirig products are designed and manufactured in Australia by our highly skilled team of engineers and boilermakers.

VISIT WWW.MAXIRIG.COM.AU